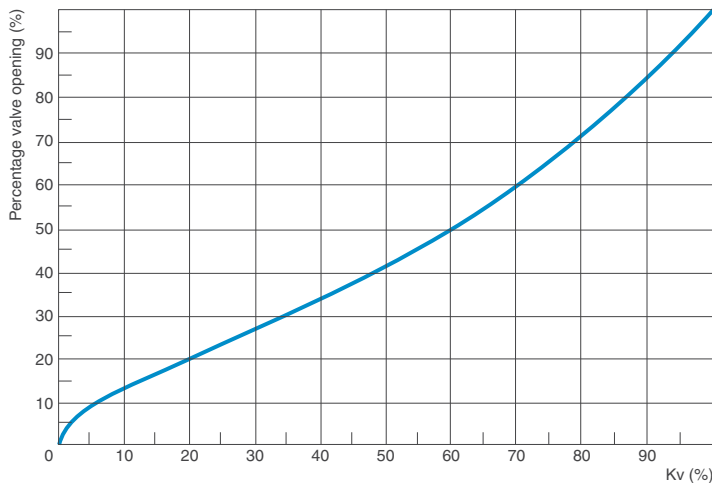




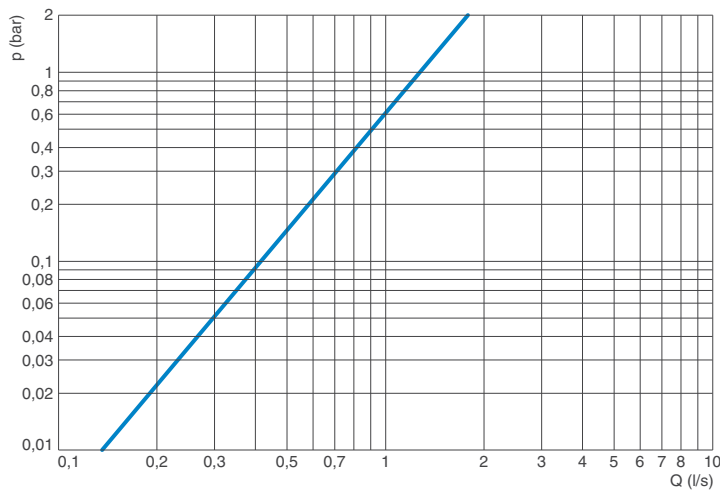


## Technical data



### Kv to valve opening chart

The chart aside shows the opening percentage of the valve versus the Kv.



### Head loss chart

The chart indicates the head loss of the valve fully open versus flow rate in l/s.

## Working conditions

Treated water with a maximum temperature of 70°C.

Higher temperatures on request.

Upstream pressure (inlet): maximum 25 bar.

## Technical data

Kv equal to 6,3 m<sup>3</sup>/h.

Recommended flow rate: 5 m<sup>3</sup>/h.

Spring setting ranges: 1-8 bar, 2-16 bar, 4-24 bar.

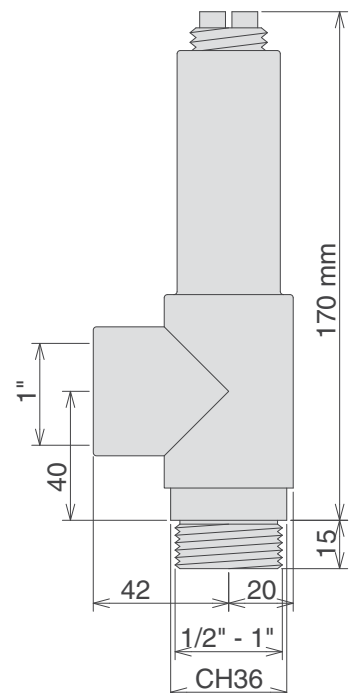
Weight Kg 2,3.

## Standard

Certified and tested in compliance with EN 1074/5.

Threaded BSP connections.

Variations on the inlet thread available on request.



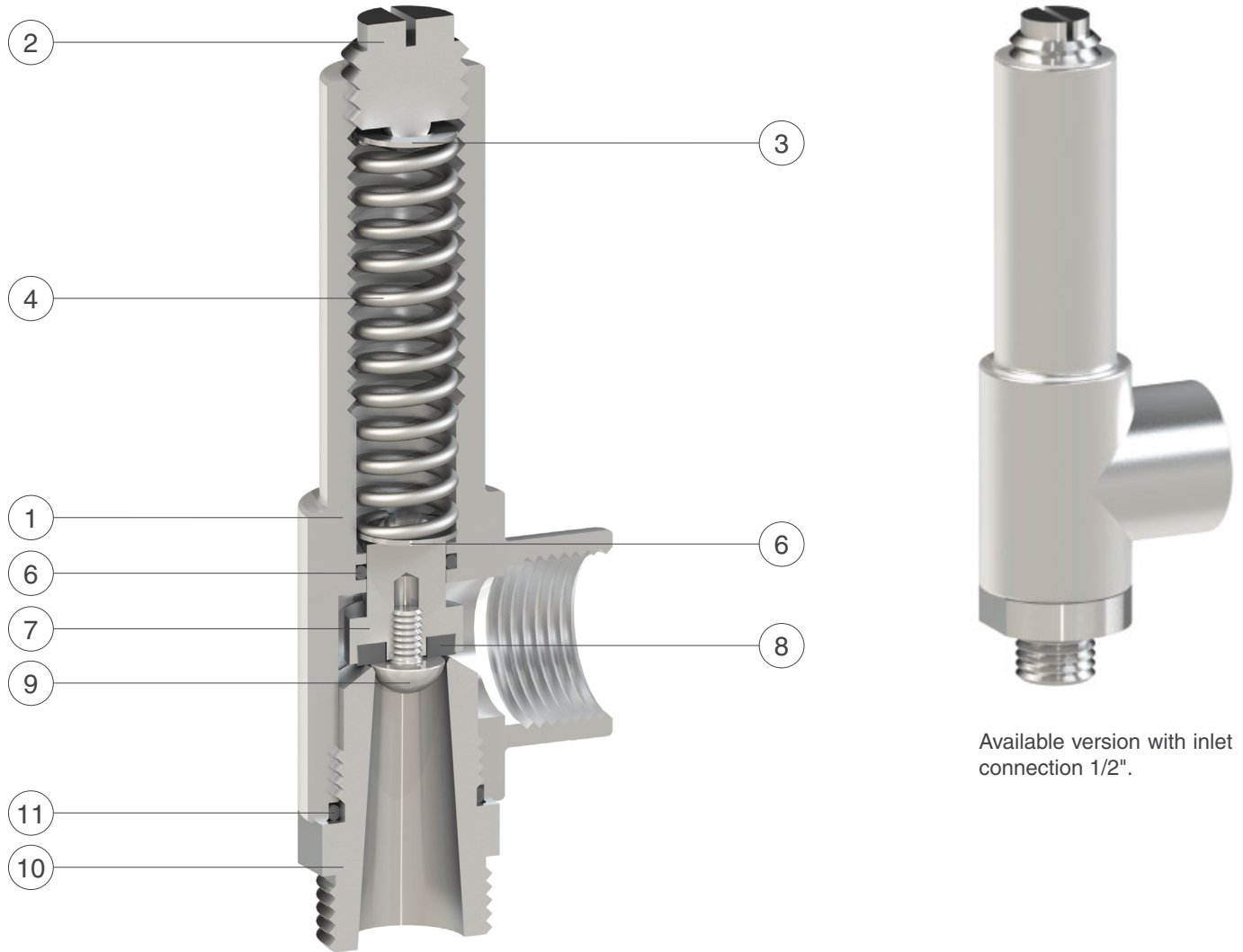
« - »

: www.tisys.ru www.tisys.kz www.tisys.by www.tesec.ru www. -

: +7 (495) 7774788, 7489626, (925) 5007155, 54, 65

: info@tisys.ru info@tisys.kz info@tisys.by

## Technical details



Available version with inlet connection 1/2".

N.	Component	Standard material	Optional
1	Body	stainless steel AISI 316	
2	Driving screw	stainless steel AISI 304	stainless steel AISI 316
3	Spring upper support	stainless steel AISI 304	
4	Spring	stainless steel AISI 302	
5	O-ring	NBR	EPDM/Viton
6	Spring lower support	stainless steel AISI 304	
7	Obturator	stainless steel AISI 304	stainless steel AISI 316
8	Plane gasket	polyurethane	
9	Screw	stainless steel AISI 304	
10	Sealing seat	stainless steel AISI 304	stainless steel AISI 316
11	O-ring	NBR	EPDM/Viton